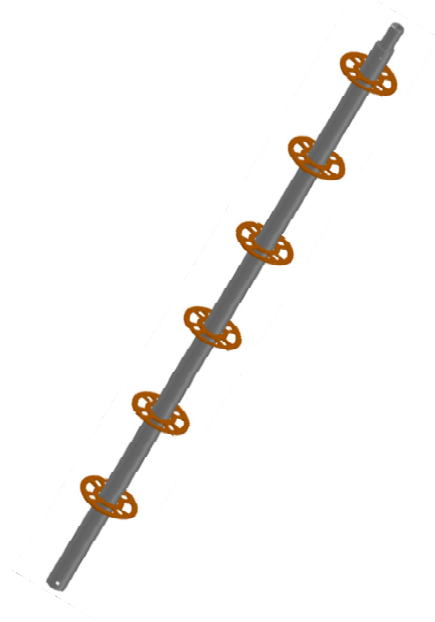


EX-RINGLOCK ACCESS SUPPORT SYSTEM:

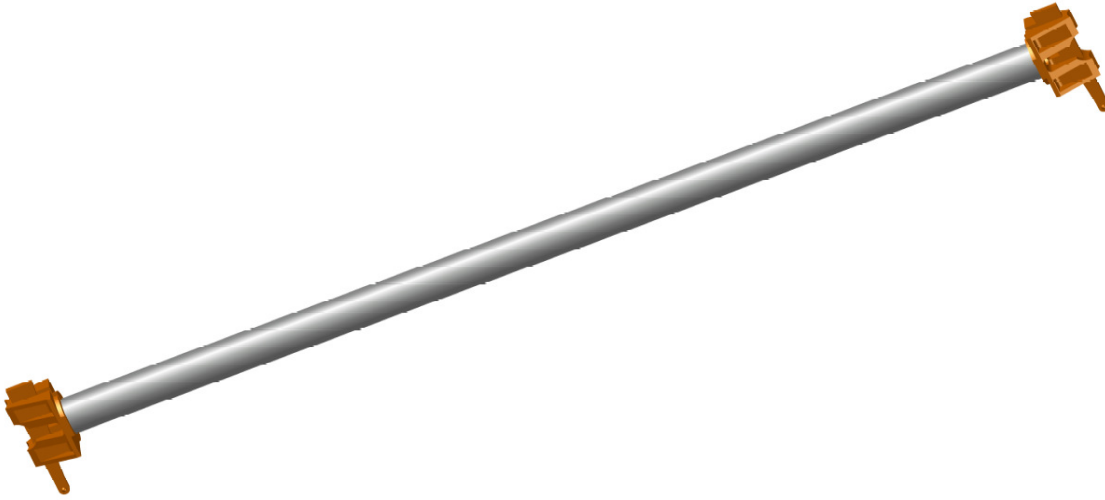
Ringlock is a modular access scaffolding system for industrial and construction applications. Ringlock is built with a high level safety, high performance and durability and significant reduction of commissioning time

EX-RINGLOCK STANDARD



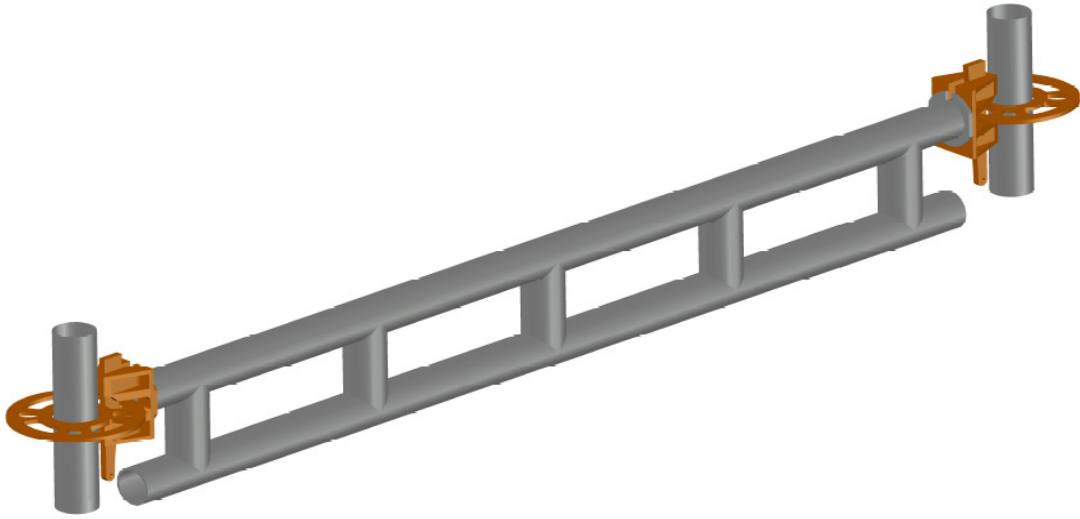
Length	Weight in lbs.(kgs)
1'-7"(0.5m)	6.5 (3.1)
3'-3"(1.0m)	11.5 (5.2)
5'-0"(1.5m)	17.0 (7.7)
6'-6"(2.0m)	22.0 (10.0)
8'-3"(2.5m)	26.0 (11.8)
9'-10"(3.0m)	32.0 (14.5)

EX-RINGLOCK LEDGER



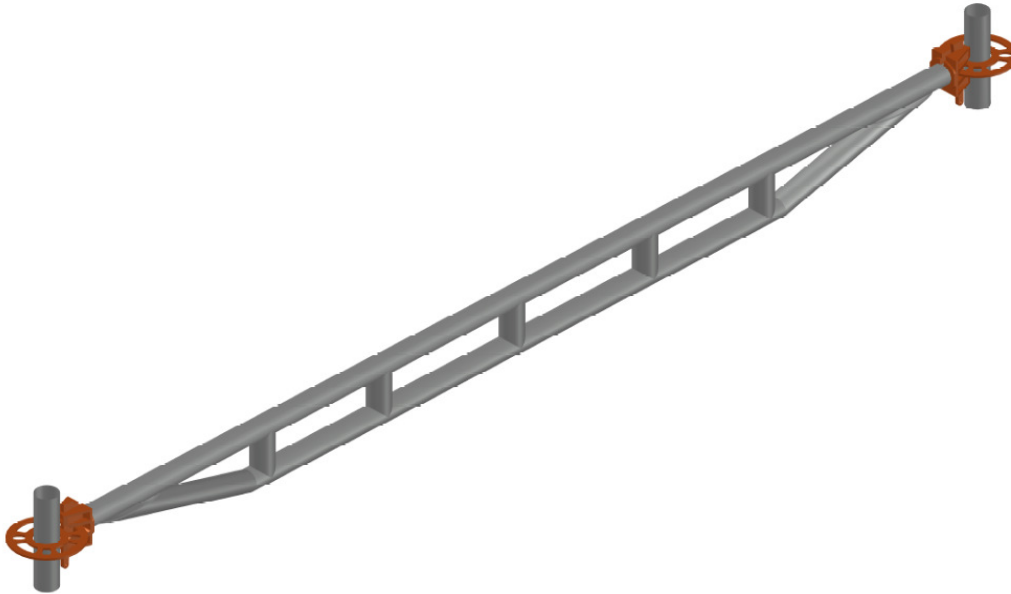
LEDGER LENGTH (C/C)	WEIGHT
10'-0" (3.05m)	25.0 lbs (11.4kgs)
8'- 6" (2.59m)	22.0 lbs (10.0 kgs)
8'- 0" (2.62m)	18.0 lbs (8.2kgs)
7'-0" (2.13m)	17.8 lbs (8.1 kgs)
6'-0" (1.83m)	14.1 lbs (6.4kgs)
5'-2" (1.57m)	13.8 lbs (6.3kgs)
5'-0" (1.50m)	13.2 lbs (6.0kgs)
4'-0" (1.22m)	12.0 lbs (5.45 kgs)
3'-10" (1.15m)	10.1 lbs (4.6kgs)
3'-6" (1.06m)	9.5lbs (4.3kgs)
3'0" (0.91m)	9.0 lbs (4.1kgs)
2'-2"(0.65m)	6.8 lbs (3.1 kgs)
2'-0" (0.61m)	6.2 lbs (2.8 kgs)

EX-RINGLOCK DOUBLE LEDGER



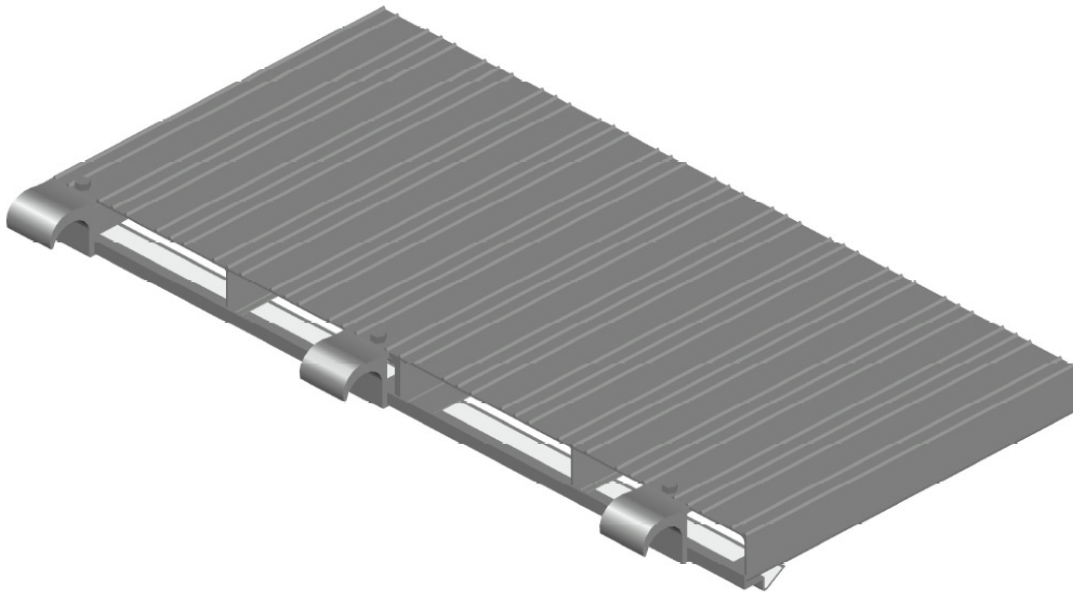
DOUBLE LEDGER LENGTH (C/C)	WEIGHT
10'-0" (3.05m)	25.0 lbs (11.4kgs)
7'-0" (2.13m)	17.8 lbs (8.1 kgs)
5'-2" (1.57m)	13.8 lbs (6.3kgs)

EX-RINGLOCK TRUSSED LEDGER



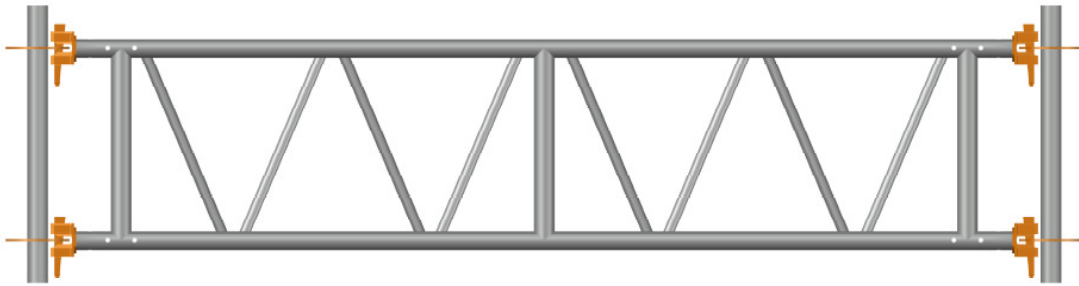
TRUSSED LEDGER LENGTH (C/C)	WEIGHT
10'-0" (3.05m)	25.0 lbs (11.4kgs)
7'-0" (2.13m)	17.8 lbs (8.1 kgs)
5'-2" (1.57m)	13.8 lbs (6.3kgs)

EX-RINGLOCK ALUMINIUM DECK



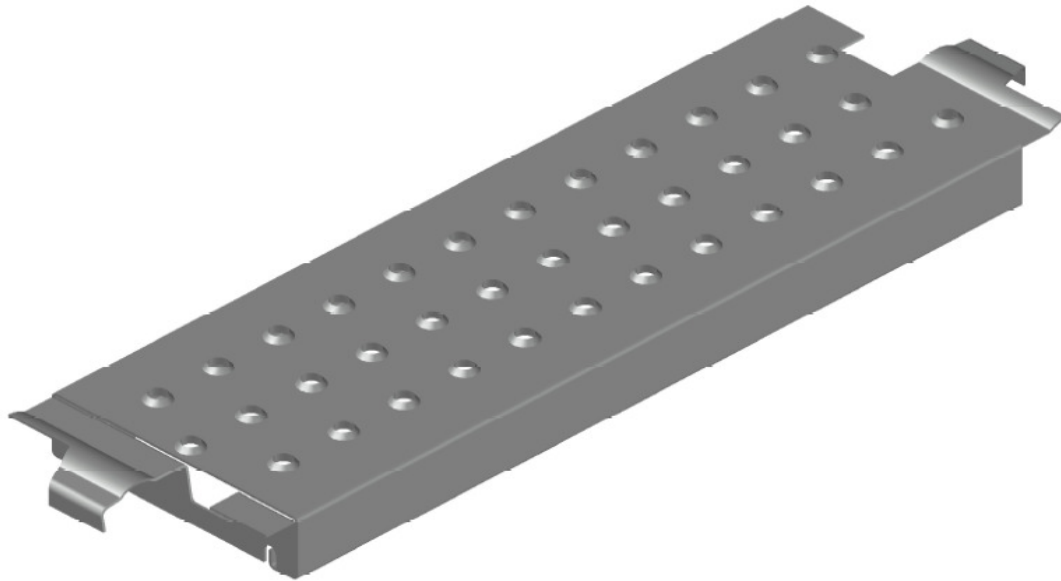
LENGTH (C/C)	WIDTH	WEIGHT
10'-0" (3.05m)	19.25" (482mm)	42.0 lbs (19.0kgs)
8'-0" (2.62m)	19.25" (482mm)	33.0 lbs (15.0kgs)
7'-0" (2.13m)	19.25" (482mm)	31.0 lbs (14.0kgs)
5'-0" (1.50m)	19.25" (482mm)	22.0 lbs (10.0kgs)

EX-RINGLOCK LATTICE GIRDERS



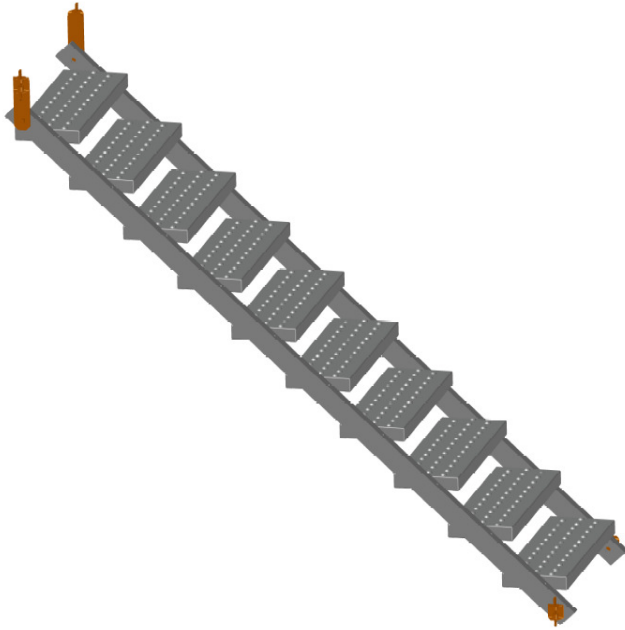
LATTICE GIRDERS LENGTH (C/C)	WEIGHT
21'-0" (6.39m)	155 lbs (70 kgs)
14'-0" (4.26m)	104 lbs (47 kgs)

EX-RINGLOCK STEEL PLANK



LENGTH (C/C)	WEIGHT
10'-0" (3.05m)	44.4 lbs (20.2 kgs)
7'-0" (2.13m)	32.0 lbs (14.5 kgs)
6'-0" (1.83m)	27.7 lbs (12.6 kgs)
5'-2" (1.57m)	24.8 lbs (11.3 kgs)
5'-0" (1.50m)	23.5 lbs (10.7 kgs)
4'-0" (1.22m)	19.3 lbs (8.8 kgs)
3'-10" (1.15m)	18.6 lbs (8.45 kgs)
3'-6" (1.06m)	12.0 lbs (5.4 kgs)
3'-0" (0.91m)	15.1 lbs (6.86 kgs)
2'-2" (0.65m)	11.7 lbs (5.32 kgs)
2'-0" (0.61m)	10.9 lbs (4.95 kgs)

EX-RINGLOCK STAIRWAYS



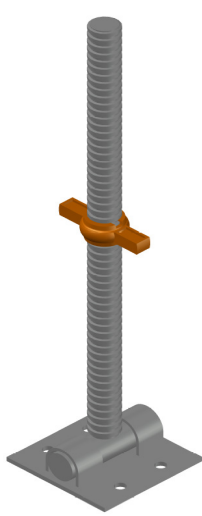
Length of Bay in Inches	3'-0"	3'-6"	7'-0"
Weight in Lbs	11.0 Lbs	12.6 Lbs	32.0 Lbs

EX-RINGLOCK DIAGONAL BRACES

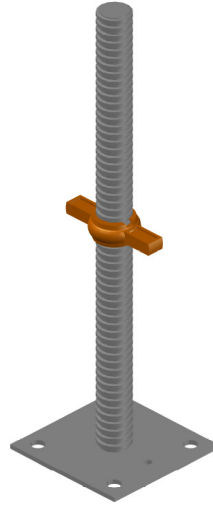


BAY SIZE (C/C)	WEIGHT
10'-0" (3.05m)	25.0 lbs (11.4kgs)
8'-6" (2.59m)	22.0 lbs (10.0 kgs)
8'-0" (2.62m)	18.0 lbs (8.2kgs)
7'-0" (2.13m)	17.8 lbs (8.1 kgs)
6'-0" (1.83m)	14.1 lbs (6.4kgs)
5'-2" (1.57m)	13.8 lbs (6.3kgs)
4'-0" (1.22m)	12.0 lbs (5.45 kgs)
3'-10" (1.15m)	10.1 lbs (4.6kgs)
3'-6" (1.06m)	9.5 lbs (4..3kgs)
3'-0" (0.91m)	8.6 lbs (3.9 kgs)

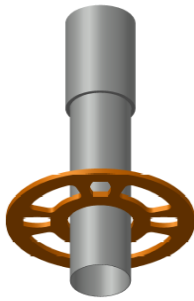
EX-RINGLOCK SCREW JACK



EX-RINGLOCK SCREW JACK WITH BASE PLATE



EX-RINGLOCK SWIVEL BASE SCREW JACK



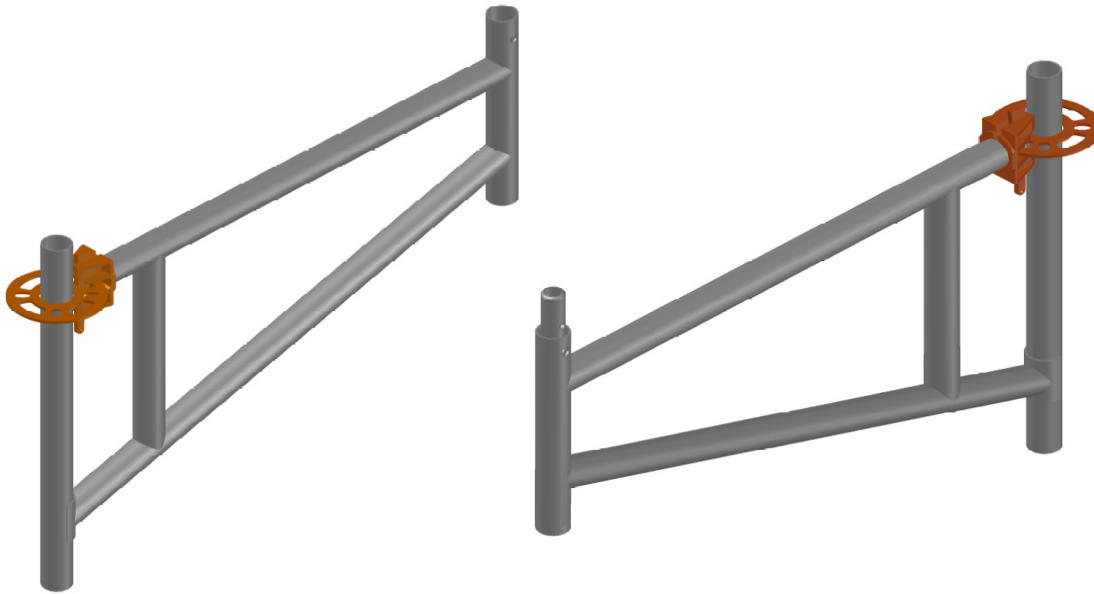
EX-RINGLOCK BASE COLLAR



EX-RINGLOCK SPIGOT

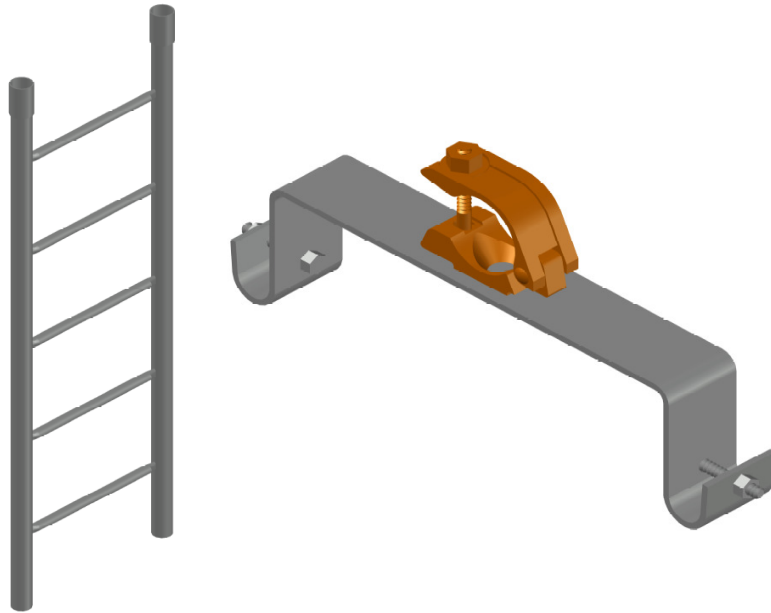
Lenght	610	mm	(24")
Adjustment	457	mm	(18")
Weight	6.8	kg	(15 lbs)
Diameter	35	mm	(1 3/8")

EX-RINGLOCK SIDE BRACKETS



Length of Bay	9 5/8"	21'-0"	31 1/8"
Weight in Kgs	1.7	6.4	8.5

EX-RINGLOCK LADDER



LENGTH (C/C)	WIDTH	WEIGHT
3'-0" (1.0m)	17.0" (430mm)	19.0 lbs (8.9kgs)
5'-0" (1.50m)	17.0" (430mm)	24.0 lbs (10.9kgs)
6'-0" (1.83M)	17.0" (430mm)	26.5 lbs (12.0kgs)
10'-0" (3.05m)	17.0" (430mm)	48.0 lbs (22.0kgs)