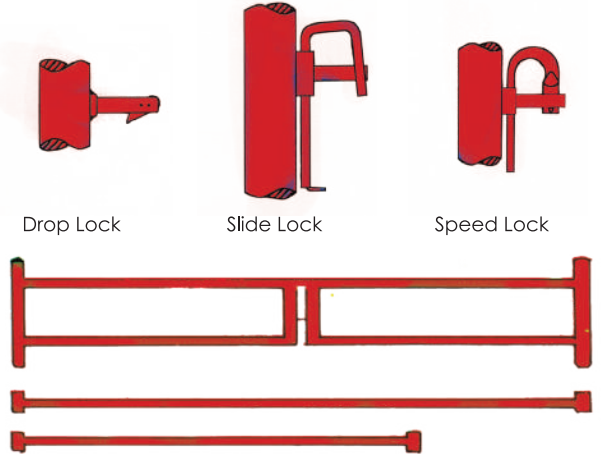
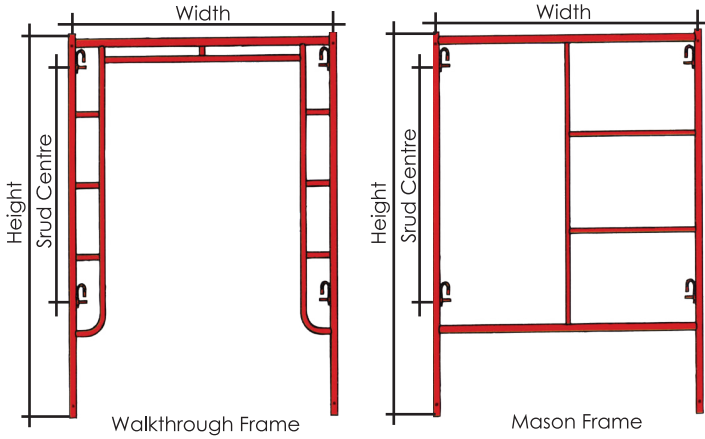


VARIOUS LOCKS

Various locking pins are available for customer's preferences



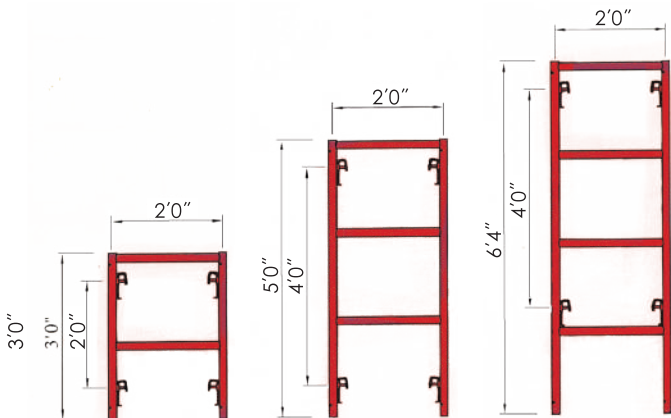
Description (HxW)	Stud Center	Weight (lbs)
Walkthrough Frame 6'7"x 5'	4'0"	56.1
Mason Frame 3'1"x 5'	2'0"	31.9
Mason Frame 4'1"x 5'	3'0"	35.2
Mason Frame 5'1"x 5'	4'0"	41.8
Mason Frame 6'7"x 5'	4'0"	48.0



Description (HxW)	Weight (lbs)
Connecting Pin	1.1

NARROW FRAMES

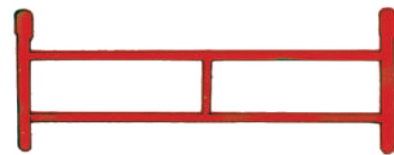
Description	Stud Center	Weight
Narrow Frame 3'x 2'	2'0"	20 lbs
Narrow Frame 5'x 2'	4'0"	26 lbs
Narrow Frame 6'4" x 2'	4'0"	36 lbs



CASTOR WHEEL WITH BRAKE



STANDARD FRAME



STANDARDS COMPONENTS

Base Frame	2.0m x 2.0m
Main Frame	2.0m x 1.0m
Diagonal Brace	2.0m x 2.0m
Guardrail	1.0m
Guardrail Post	1.0m
Scaffold board with end hook	2m x 20mm
R/T Castor Wheel with Brake	
Outrigger (4 per tower)	
Other sizes available to special order	

All towers are supplied with guardrails, guard rail posts and one set (8 pcs) platform boards.

Note: Outriggers required on towers more than 6m high, Maximum recommended height 10 meters for external use, 12m for internal use.

ACCESS - FRAME SCAFFOLD

CROSS BRACE

Horizontal ledgers and cross braces are made from 27 mm dia steel tube and have holes punched at each end for location on the "flip locks"

Three standard sizes of cross brace and ledger are available to give scaffold bay sizes of 2.5 m, and 3.0m



Excel mobile towers are manufactured from lightweight steel tubes for strength and long life. Excel mobile towers are safe to use and simple and quick to erect. The Standard 1.0 m high frames offers platform locations at 0.5 m intervals for added adaptability. Timber or steel platform boards have built in end hooks for positive location and safety. The standard 2m wide tower can be used up to 6m high without outriggers and up to 10m high when outriggers are used. Guardrail posts and guardrails provide additional safety at top platform levels. Excel mobile towers are designed to be able to carry a safe working load of 500kg (men and material). The rubber tyred castor wheels are fitted with brakes to ensure the tower cannot be accidentally moved.

Safety note : Towers must never be moved when men or materials are on the working platform.

A light weight system for light duty applications. Simple, quick and safe erection. Three styles are available and are interchangeable (Italian, Half Ladder and Ladder)

